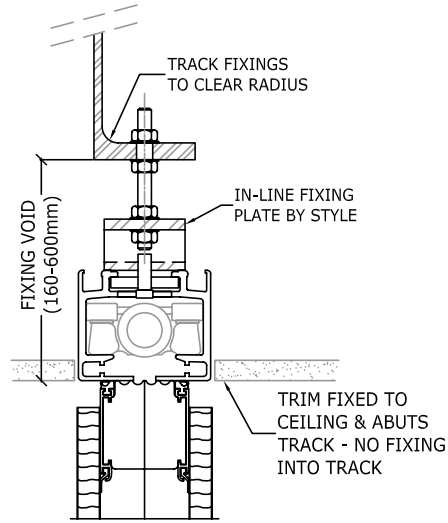


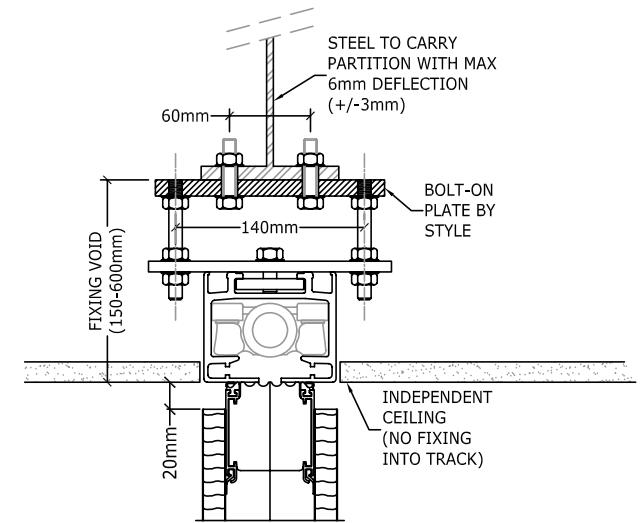
DETAIL-FS1

- BOLTED DIRECTLY TO STEEL
- 600mm-1200mm REQUIRES BRACING



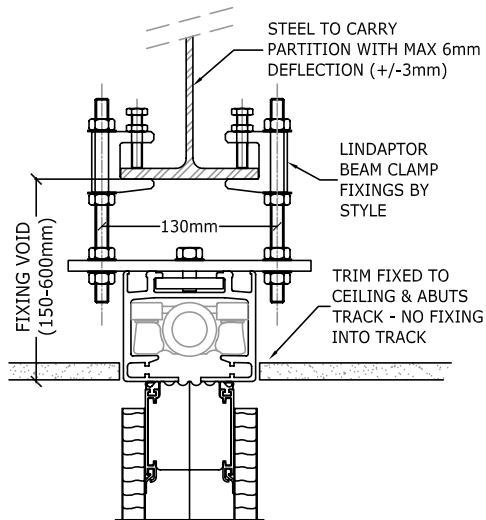
DETAIL-FS2

- FIXINGS BOLTED IN-LINE TO CHANNEL



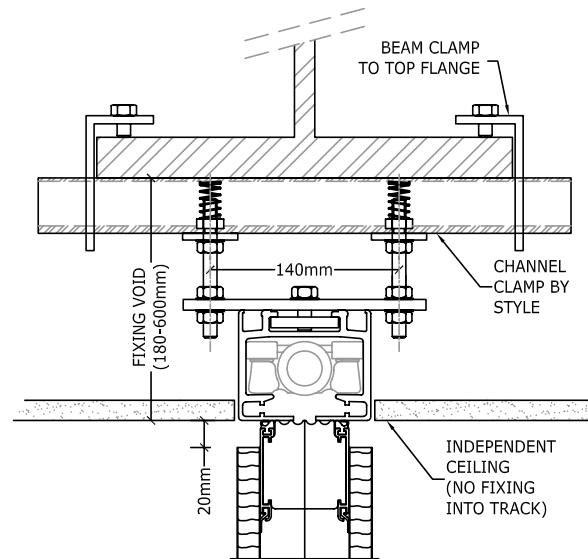
DETAIL-FS3

- BOLT-ON PLATE TO NARROW STEEL
- 600mm-1200mm REQUIRES BRACING



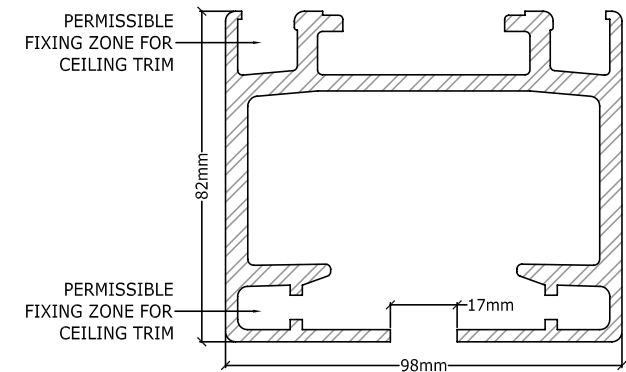
DETAIL-FS4

- EDGE-CLAMP TO NARROW STEEL
- 600mm-1200mm REQUIRES BRACING



DETAIL-FS5

- CLAMPED TO THICK STEEL
- 600mm-1200mm REQUIRES BRACING



TYPE-R HEAD TRACK

NOTES:

1. FLUSH TRACK ONLY POSSIBLE WITH 2-POINT SUSPENSION SYSTEMS (20mm DOWNSTAND FOR SP)
2. PLEASE REFER TO DRAWING STY-SD-03 FOR VARIOUS ACOUSTIC BARRIER DETAILS
3. OTHER SOLUTIONS ARE AVAILABLE - PLEASE CONTACT STYLE FOR DETAILS

PLEASE SEE OUR WEBSITE FOR FURTHER DETAILS - www.style-partitions.co.uk

TITLE: COMMON FIXING DETAILS (STEEL) - R-TRACK

DWG No: STY-SD-02-02

DATE: 07.02.2012

REV: -

style
moveable partition specialists